

4

3

2

1

SPECIFICATIONS:

IMPEDANCE: 50 OHMS NOMINAL
 FREQUENCY RANGE: DC TO 2.4GHz
 VSWR: DC TO 1GHz AT 1.10:1 MAX.
 1GHz TO 2.4GHz AT 1.25:1 MAX.
 POWER RATING: 150 WATTS CW (UNI-DIRECTIONAL) AT 25°C AMBIENT
 COOLING FIN: ALUMINUM, BLACK ANODIZED
 COVER: ALUMINUM, BLACK ANODIZED
 CONNECTOR: BNC FEMALE, TRI-ALLOY PLATED
 OPERATING POSITION: HORIZONTAL (FINS UP) OR VERTICALLY
 NOMINAL SIZE: APPROX. 5.47" L X 5.40" W X 4.30" H
 WEIGHT: APPROX. 2.5 LBS

REVISIONS		DWG. NO.	SHEET	REV
ZONE	REV	DESCRIPTION	DATE	APPROVED
	A	NEW DRAWING RELEASE PER DWD	3-31-03	<i>MW</i>

D

D

C

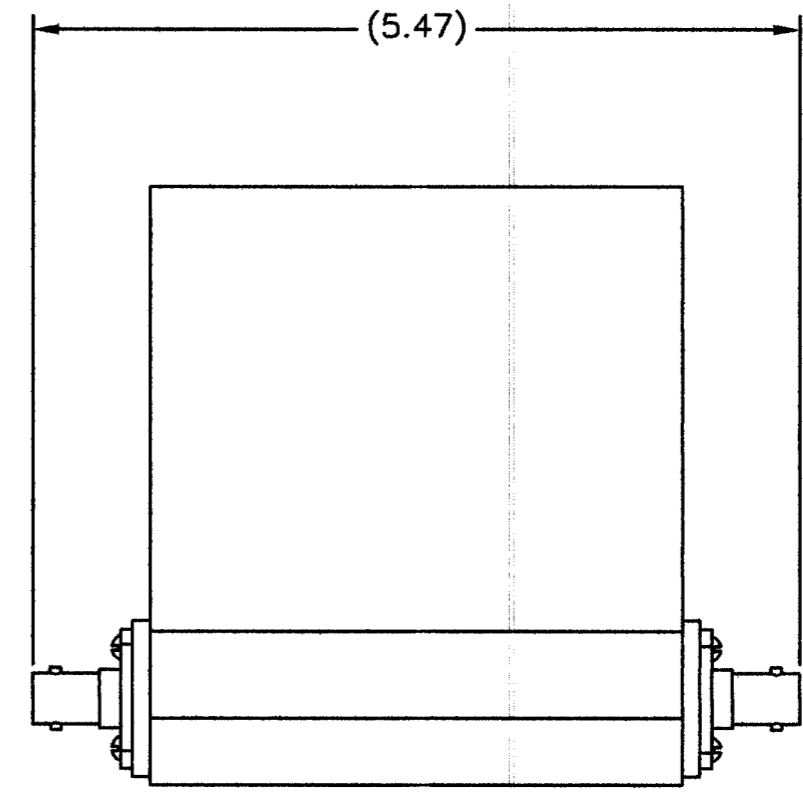
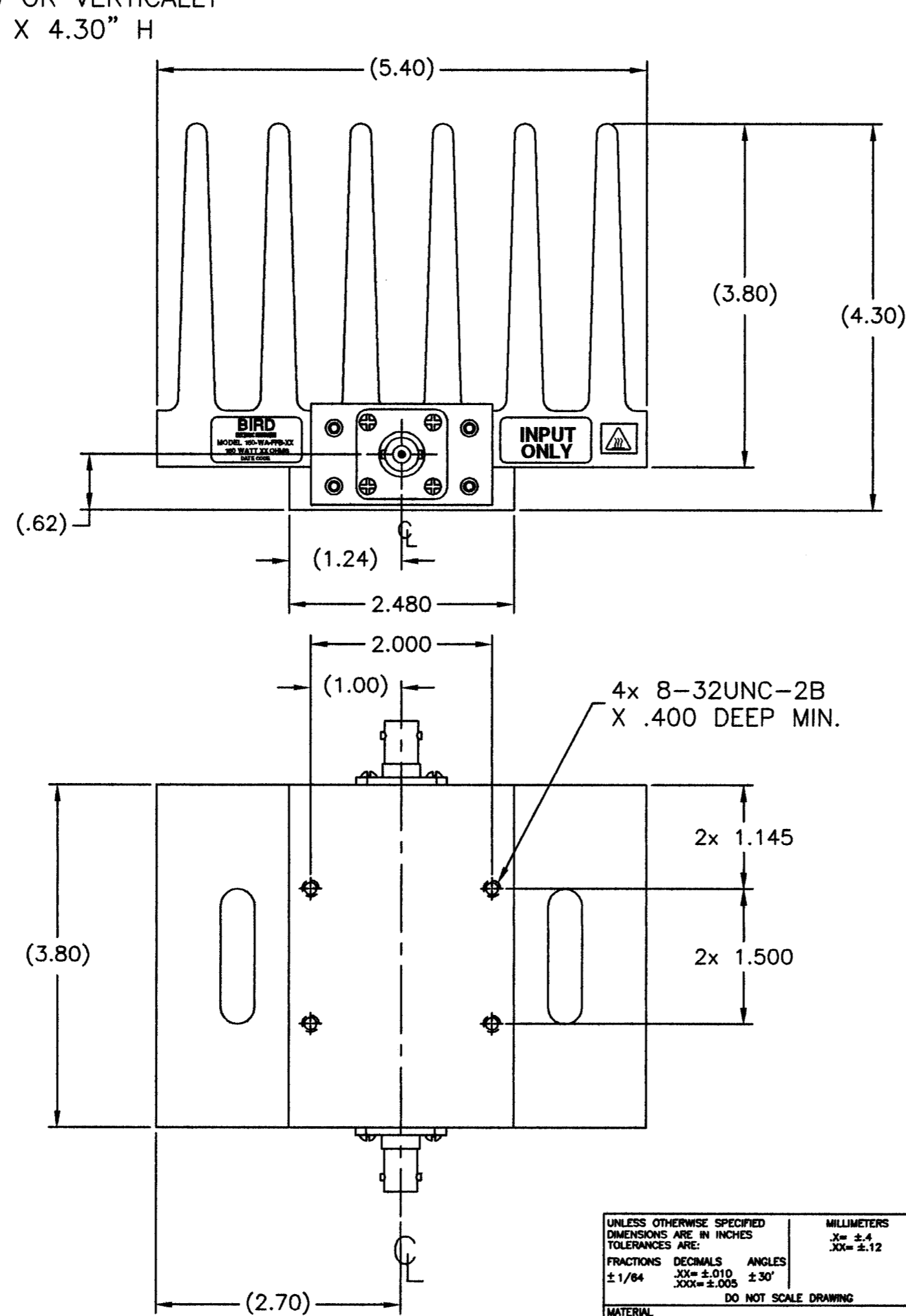
C

B

B

A

A



NOTE:
 FOR VALUES NOT LISTED, REFER TO THE NEXT HIGHER ATTENUATION LEVEL FOR SPECIFICATIONS. FOR ATTENUATION VALUES GREATER THAN THE HIGHEST LISTED ATTENUATION VALUE, REFER TO THE VALUE 1/2 THE DESIRED ATTENUATION LEVEL, THEN DOUBLE THE LISTED SPECIFICATION VALUES, UNLESS OTHERWISE SPECIFIED.

XX = DASH NUMBER (dB VALUE)

-30	30	±0.8 dB	±1.3 dB
-20	20	±0.5 dB	±1.0 dB
-10	10	±0.4 dB	±0.8 dB
-06	6	±0.4 dB	±0.6 dB
-03	3	±0.3 dB	±0.5 dB
-02	2	±0.3 dB	±0.5 dB
-01	1	±0.3 dB	±0.5 dB

DASH NO.	dB ATTEN.	DC - 1GHz ATTENUATOR	1 - 2.4GHz ACCURACY ±dB
----------	-----------	----------------------	-------------------------

UNLESS OTHERWISE SPECIFIED DIMENSIONS ARE IN INCHES TOLERANCES ARE:
 FRACTIONS DECIMALS ANGLES
 ± 1/64 .XXX ± 0.010 ± 30'
 .XXX ± 0.005

MILLIMETERS
 .X = ±.4
 .XX = ±.12

THIS DRAWING IS THE PROPERTY OF THE BIRD ELECTRONIC CORPORATION. THE DESIGNS AND SPECIFICATIONS DISCLOSED HEREON ARE PROPRIETARY AND SHALL NOT BE REPRODUCED, NOR COPIED, NOR USED AS THE BASIS FOR THE MANUFACTURE OR SALE OF APPARATUS OR DEVICES WITHOUT THEIR EXPRESS WRITTEN CONSENT.



MATERIAL		APPROVALS		DATE		TITLE	
		DRAWN	D.M.RINK	DATE	3-31-03	ATTENUATOR, CONVECTION COOLED BNC FEMALE/FEMALE, 150W	
		CHECKED				SIZE	FSCM NO.
		APPROVED	<i>MW</i>	DATE	3-31-03	DWG. NO.	150-WA-FFB-XX
				SCALE	1:1	COMM CODE	AT1
						SHEET	1 OF 1

4

3

2

1